

How To...

Build & Use A Booster Bead Soak Tank

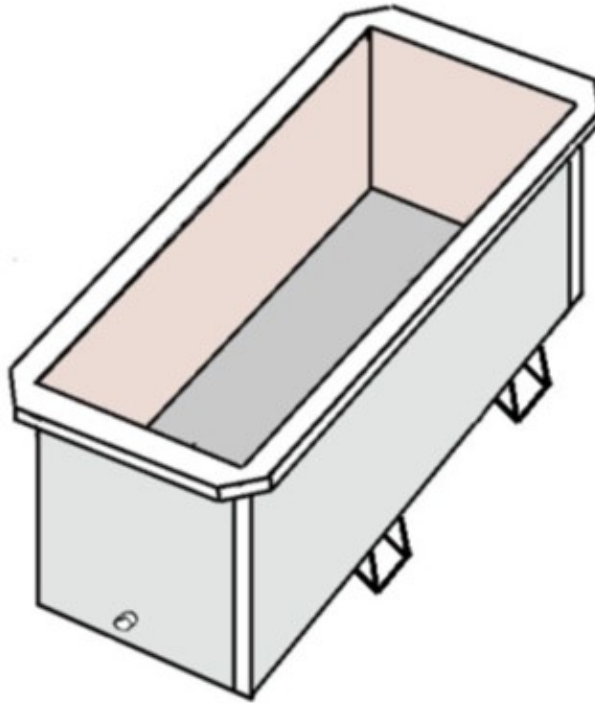


BOOSTER BEADS: Ideal for Cleaning Nickel Plated Steel Grill Tops and Stainless Steel Grill Grates.

SOLD AS: 10 LB. Bucket yields 50 Gallons of Cleaning Solution

1. Build tank to dimensions and specifications listed below.
2. Mix Booster Beads & water according to package directions.
3. Soak dirty grill tops for 12-24 hours; the longer they soak, the better.
4. Use a pressure washer to rinse thoroughly.
5. Let Dry. Grates **MUST** be completely dry before use.

The same tank contents can be used for approximately 6 months with limited evaporation.



Dimensions: 78" Long x 28" Wide x 30" High

Material: 12 Gauge Stainless or Galvanized Steel with 2-4 Bottom Supports (eg: Legs)

ALL EQUIPMENT IS FOR OUTDOOR USE ONLY

526 EAST ROLLING RIDGE DRIVE, BELLEFONTE, PA 16823

P: 814-359-2755

F: 814-359-2621

sales@bigjohngrills.com